



Quick Installation Guide

Installation of the Select.live device with SP PRO Series I and II

Introduction

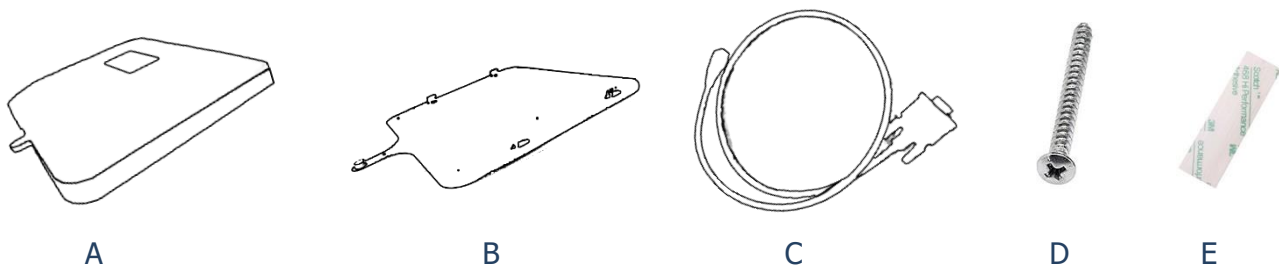
Thank you for purchasing Select.live, this product will allow you to monitor your SP PRO system wherever you have an Internet connection.

This instruction will show how to install the Select.live device (Order code 005283) for SP PRO series II and SP PRO Series I using Select.live Adaptor Kit for SP PRO Series I (Order code 005290).

This product is currently for single phase systems only.

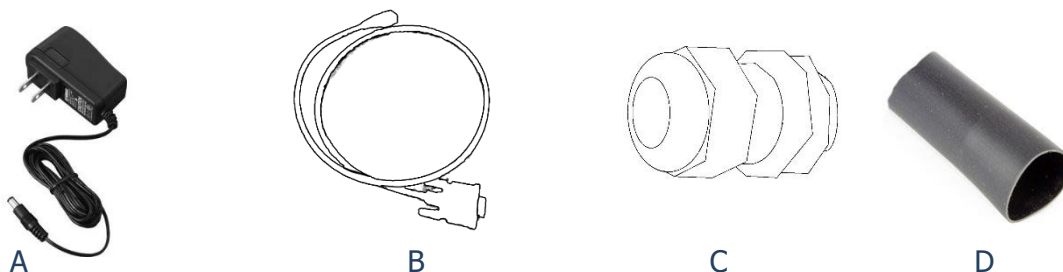
Contents of Packing

Select.live Device (Order code: 005283)



Position	Quantity	Description
A	1	Select.live Device
B	1	Wall Mount Plate
C	1	Communication Cable
D	4	Wall Mount Screws
E	2	Double Side Mounting Strip

Select.live Adaptor kit for SP PRO Series I (Order code: 005290)



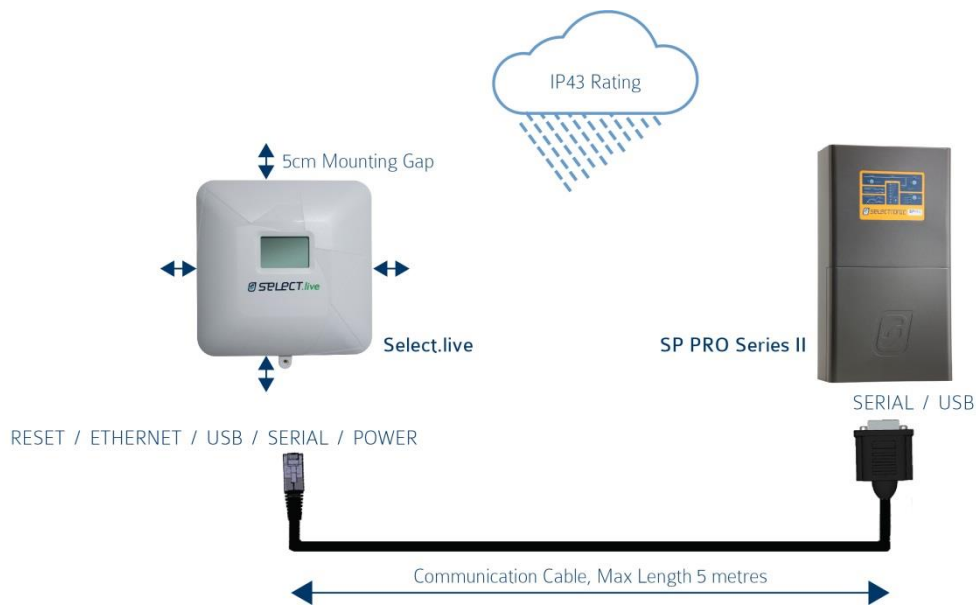
Position	Quantity	Description
A	1	12V DC power adaptor
B	1	Powered Console cable
C	1	25mm Gland
D	1	70mm long Wire Sleeve



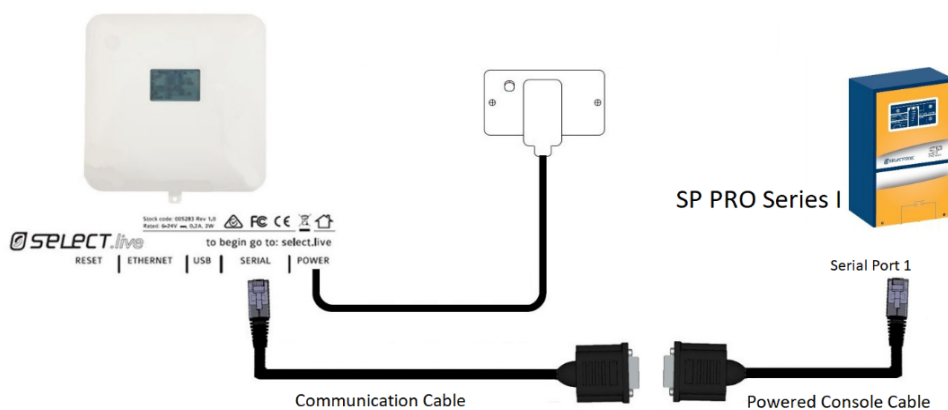
Quick Installation Guide

Installation of the Select.live device

1. Mount your Select.live device on the wall as per the following requirements
 - a. The ambient conditions at the mounting location must be suitable for the operation of the Select.live device (see Specification section)
 - b. The mounting location must have access to your Wi-Fi network if you are using a wireless connection for internet access.
2. Connect your Select.live device to the SP PRO inverter using the supplied communication cable as shown below to power the device and communicate with SP PRO.



For SP PRO Series I inverter, you must purchase the Select.live Adaptor kit for SP PRO Series I (Order code: 005290) as shown below



The Gland and Sleeve must be used to fasten the Power Console cable to the gland plate located at the bottom of the SP PRO inverter as shown.





Quick Installation Guide

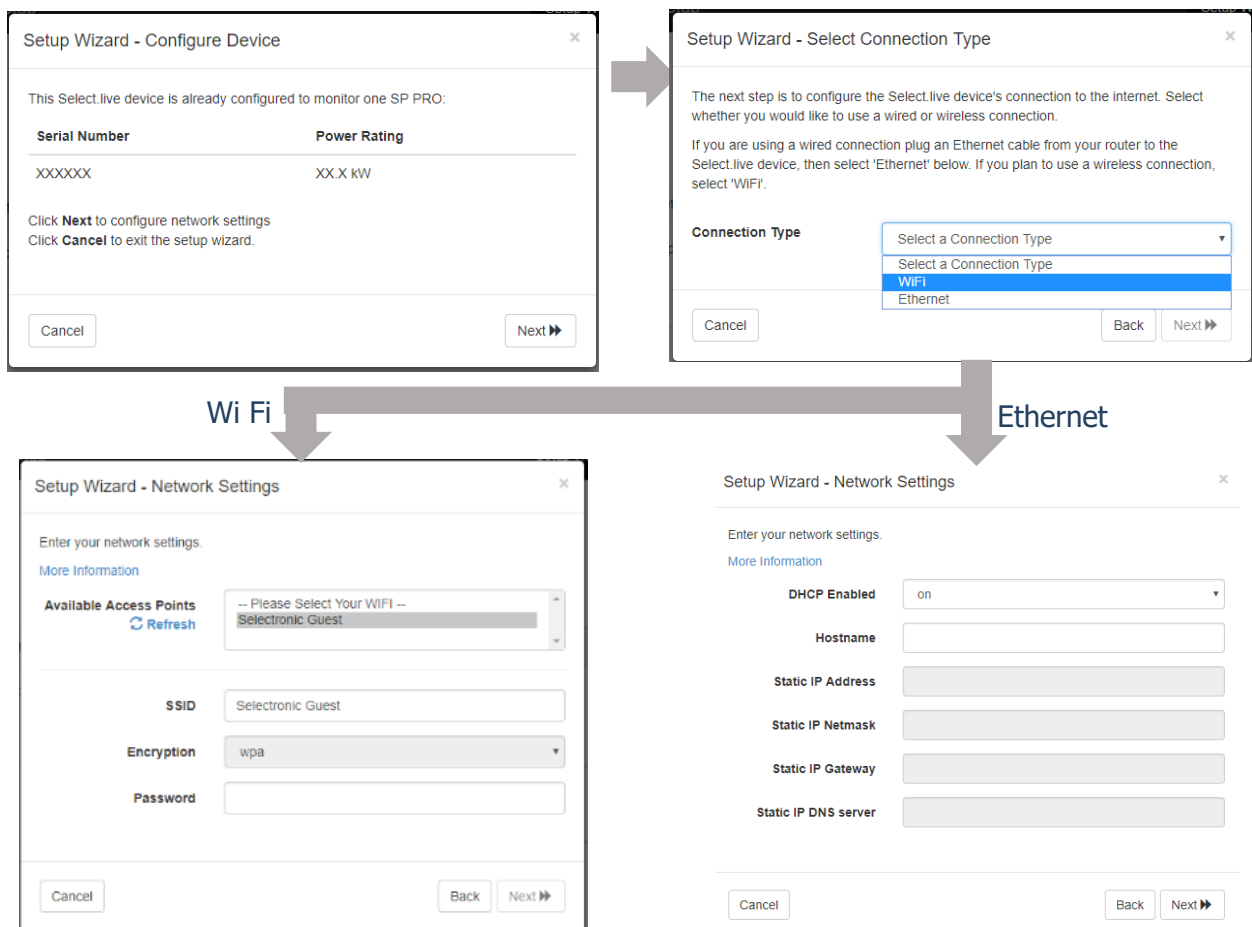
Select.live device setup for internet connection

3. Turn ON SP PRO inverter. After a minute, you should see the following message on the screen of your Select.live device

----- SETUP -----
Connect to Wi-Fi
SSID: selectronic

Browse to:
<http://192.168.1.1>
to setup

4. From the computer or mobile device, connect to the Select.live device using Wi-Fi SSID: **"selectronic"** with no password.
5. To setup the Select.live device, open a web browser and enter <http://192.168.1.1>. The web link will then direct you to the Select.live device setup web interface.
6. Take note of the Device ID and Serial. This is used later for the Select.live portal Registration.
7. From the Select.live device setup web interface, click on the "Setup Wizard" button for the auto-detect of SP PRO inverter. Then, select your preferred Wi-Fi or Ethernet connection. If the Wi-Fi network is selected, then provide your Wi-Fi internet SSID and password to connect the internet. If the Ethernet is selected, choose DHCP Enabled ON or OFF and for DHCP Enabled OFF, provide static IP, Netmask, Gateway and DNS address to connect the internet.





Quick Installation Guide

- Once the Select.live Setup Wizard is complete, wait ~30 seconds and then the following display will appear on the Select.live device display screen. Your Select.live device is now ready to register for the Select.live Portal using Device ID and Serial. Note: If Ethernet is selected, connect a network cable from the Select.live device to the modem or router after the Wizard Setup is completed.

Setup Complete ✓

The Next Step.

If everything went well, your Select.live device should now be operating correctly. The LCD screen will look something like this:

```

--- Registration ---
CLOUD:OK
IP      :X.X.X.X
D.Ver:3.6.2-s
Please enter
        Device ID: A8604880
        and Serial: 166351
        in Select.live Portal
            
```

Now, got to Select.live, create an account and add this system using:

- Device ID: XXXXXXXX
- Serial: XXXXXXXX

<https://select.live>

```

--- REGISTRATION ---
Cloud:OK
IP      :XXX.XXX.XXX.XXX
D.Ver:XX.XX.XX
Please Enter:
        Device ID: XXXXXXXX
        Serial: XXXXXXXX
        in Select.live portal
            
```

Select.live Portal Registration

- On internet connected computer or mobile device, browse to the Select.live Portal (<http://select.live>) and click on "Not register yet?". Complete the form to register your account. A verification email will be sent to you, follow the instruction to activate the account.

Login

Not Registered Yet?
[Forgot Password?](#)
[Installation Guide?](#)



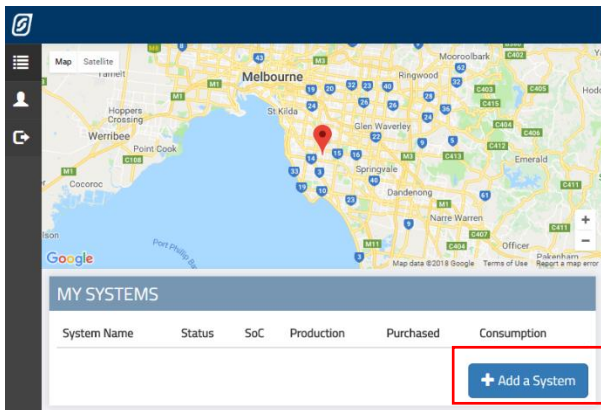
I have read and accept the [Terms and Conditions](#) for the use of the Select.Live Device and this Portal

Sign Up

[Registered but not activated?](#)
[Already Registered?](#)

- Log in to your account and register your Select.live device by clicking "Add a system". Enter the Select.live Device ID and Serial in the appropriate location as shown below. Note: The Device ID and Serial will be displayed on the Select.live device screen.

Select.live Device Quick Installation Guide



Add a new System to your profile

Connect your Select.Live Device to your SP PRO and set it up so that it is connected to the Internet.

Please find the Device ID and Serial number on the LCD screen of your Select.Live Device as shown in the example, and copy those details into the form below.

```
-- Registration --  
Cloud:OK  
IP :XXX.XXX.XXX.XXX  
D.Ver:XX.XX.XXX  
Please Enter:  
Device ID: XXXXXXXX  
and Serial: XXXXXX  
in Select.Live Portal
```

Device ID

Serial

Add System

11. Congratulations, you have successfully completed the basic setup for the Select.live device. Now you should be able to see your SP PRO system in Select.live Portal system page.



Specification

Physical	
Dimensions	150mm x 150mm
Weight	315g
LCD display	128px x 64px
Housing material	UV stabilized PC+ABS
IP rating	IP43
Operating temperature	10 to 70°C
Operating humidity	5 to 95% humidity
Technical	
Wireless	802.11b/g/n Wi-Fi 2.4GHz
Wireless range	100m max Line of site. Site specific.
Wired connectivity	Serial RS232, 10/100 Ethernet
Wired connection length	Up to 5m for Serial RS232
Operating system	Embedded Linux
Power Supply	
Power Method	DC adaptor or Communication cable (Power over serial)
Rating	6V to 24V, 1A Max





Troubleshooting

Setup problem

1. I Could not find the "selectronic" Wi-Fi SSID?

Cause

- Your Select.live device is not powered ON
- Wi-Fi of your Select.live device is connected to a network
- Entered the wrong Wi-Fi SSID and password in the Wizard setup

Solution

- Make sure your SP PRO is turned ON
- Check the power connection to the Select.live device and check if any text is displayed on the screen to indicate the device is ON.
- Factory reset your Select.live device to reset the Wi-Fi connection and use the wizard setup to connect to the internet.

2. How Do I factory reset the Select.live device?

- Press and hold the Select.live device's reset button for 10 to 20 seconds and then release, the device will start up again after about a minute. You will need to remove the unit from the wall to access the reset button.

3. My Select.live device could not auto-detect SP PRO inverter

Cause

- The Connection between SP PRO and the Select.live device is not correct.
- Your SP PRO login password is different than default password "Selectronic SP PRO"

Solution

- Check your connection between SP PRO and Select.live device as per the instructions.
- Enter the SP PRO login password during the wizard setup and click AutoDetect to check.

4. The Select.live portal could not connect to my Select.live device

Cause

- Your Select.live device is not setup
- Your Select.live device is not connected to any network. Select.live device shows "Cloud:No LAN" and "IP: Unknown"
- Your Select.live device is connected to a network but does not have an internet connection. Select.live device shows "Cloud:ERROR" and "IP:" as X.X.X.X format.

Solution

- Run Wizard setup from Select.live device web interface
- Check your Select.live device display screen. If "Cloud: OK" is displayed on the device's screen then the internet is connected to the device, otherwise run the Wizard setup from Select.live device web interface and re-establish the internet connection.

5. I could not find Device ID and Serial number.

After completing the setup Wizard, wait~ 30 seconds, Device ID and Serial number will be shown on the Select.live device display screen. Alternately, the Device ID and Serial number are also shown on the home page of Select.live device web interface.